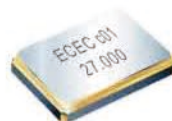
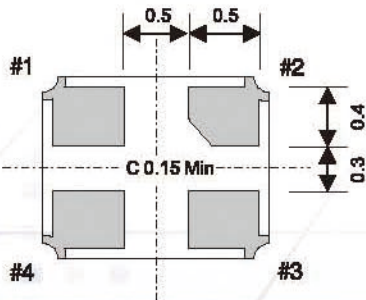
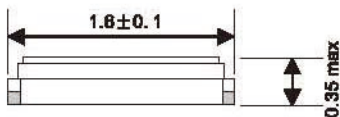
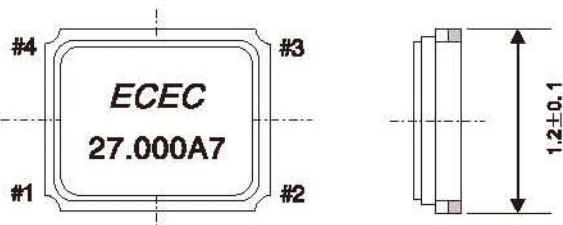


XS-1612



* Package (規格尺寸)
1.6*1.2*0.35mm typ

* Freq. Range (頻率範圍)
24MHz ~ 54MHz



#1, #3 連接石英晶膜 connected to quartz element
#2, #4 連接接地 connected to the cover

建議焊接區域塊 Suggested solder pad layout

